

Test: 2018 Primary 2 - Term 2 (SA1) Math (Henry Park)

Points: 40 points

Name: _____

Score: _____

Date: _____

Signature: _____

Select multiple choice answers with a cross or tick:

Only select one answer

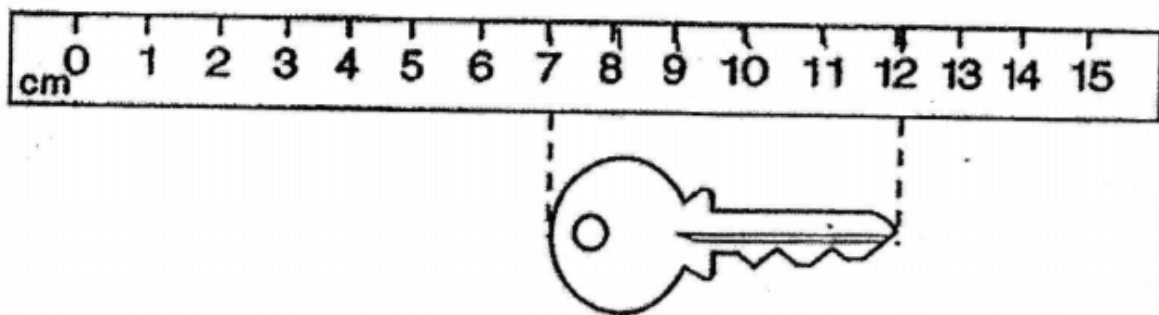
Can select multiple answers

Question 1 of 25

Primary 2 Math (Term 2) 1 pt

Section A: Multiple Choice Questions (6 x 1 mark = 6 marks)

Choose the correct answer.



- A) 5 cm
- B) 7 cm
- C) 10 cm
- D) 12 cm

Question 2 of 25

Primary 2 Math (Term 2) 1 pt

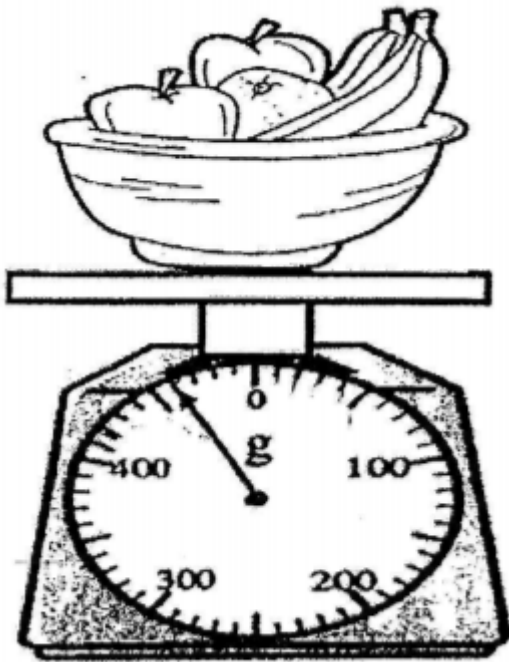
The length of a spoon is about _____.

- A) 15 m
- B) 15 cm
- C) 150 m
- D) 150 cm

Question 3 of 25

Primary 2 Math (Term 2) 1 pt

Look at the picture below.



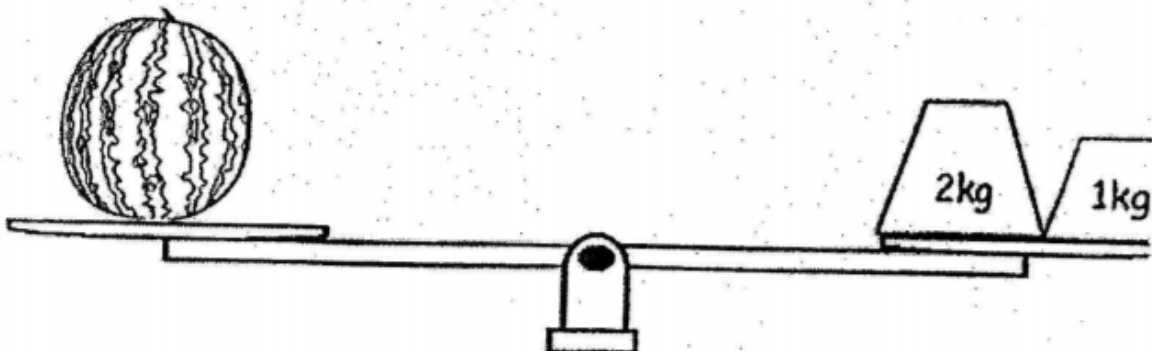
What is the mass of the basket of fruits?

- A) 406 g
- B) 460 g
- C) 510 g
- D) 560 g

Question 4 of 25

Primary 2 Math (Term 2) 1 pt

What is the mass of the watermelon in the picture shown below in kilograms?



- A) 6 kg
- B) 2 kg
- C) 3 kg
- D) 4 kg

Question 5 of 25

Primary 2 Math (Term 2)

1 pt

Which is the same as 3 groups of 6?

- A) $3 + 6$
- B) 3×6
- C) $3 + 3 + 3 + 3 + 3 + 3$
- D) $6 + 6 + 6 + 6 + 6 + 6$

Question 6 of 25

Primary 2 Math (Term 2)

1 pt

7 twos = _____

- A) 5
- B) 9
- C) 14
- D) 21

Question 7 of 25

Primary 2 Math (Term 2)

1 pt

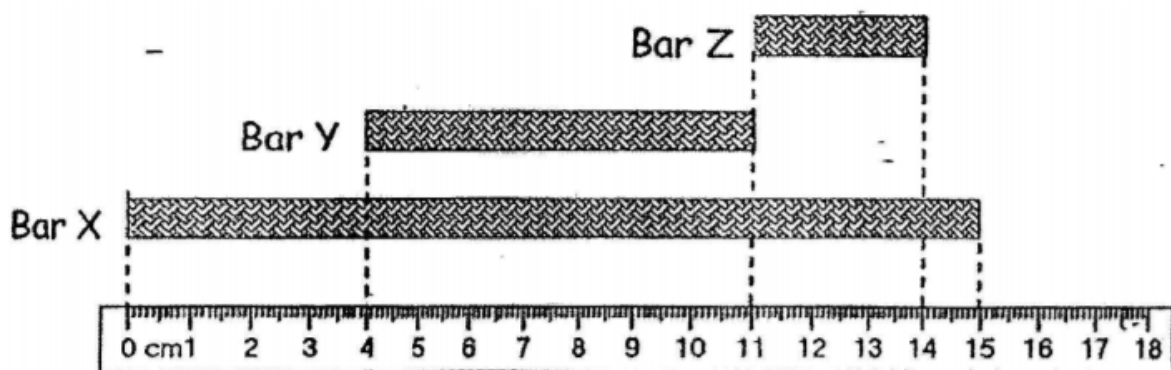
Section B: Open - Ended Questions

Questions 7 to 14 carry 1 mark each. (8 x 1 mark = 8 marks)

Questions 15 to 22 (14 marks)

Fill in your answers.

Look at the picture below.



What is the length of Bar Y?

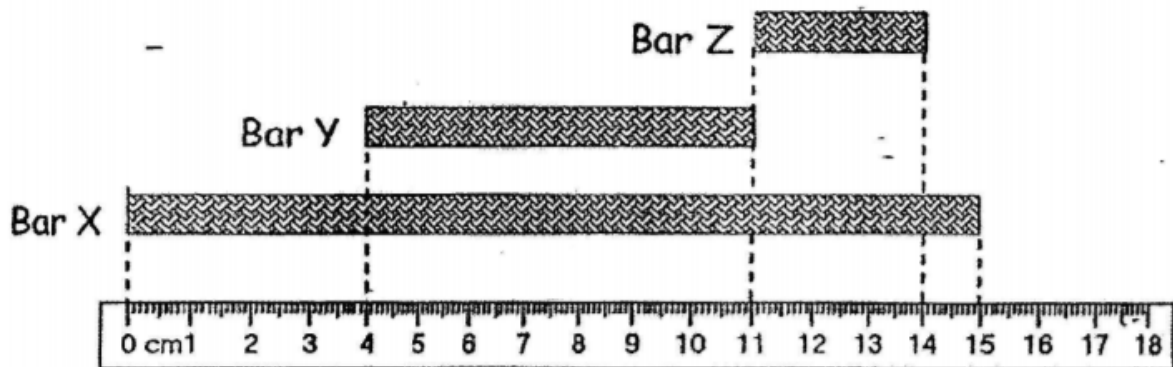
Ans: _____ cm

Question 8 of 25

Primary 2 Math (Term 2)

1 pt

Look at the picture below.



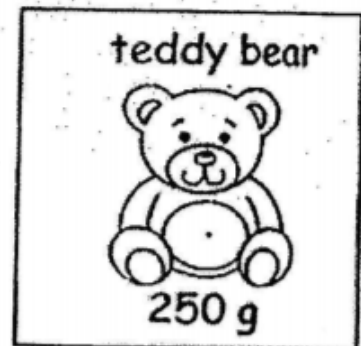
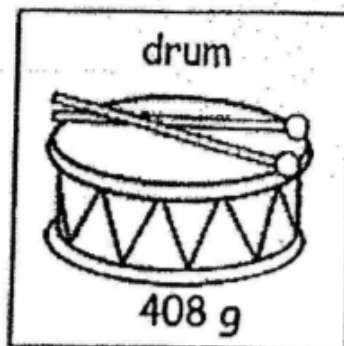
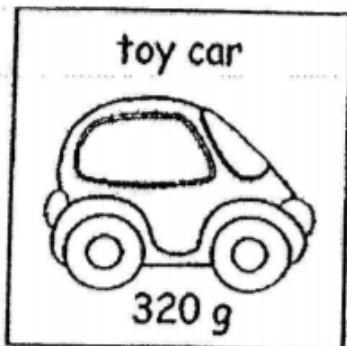
Bar Z is _____ cm shorter than Bar X.

Question 9 of 25

Primary 2 Math (Term 2)

1 pt

Arrange the objects in the boxes shown below according to their masses. Choose the correct order, beginning with the heaviest object.



_____, _____, _____
heaviest

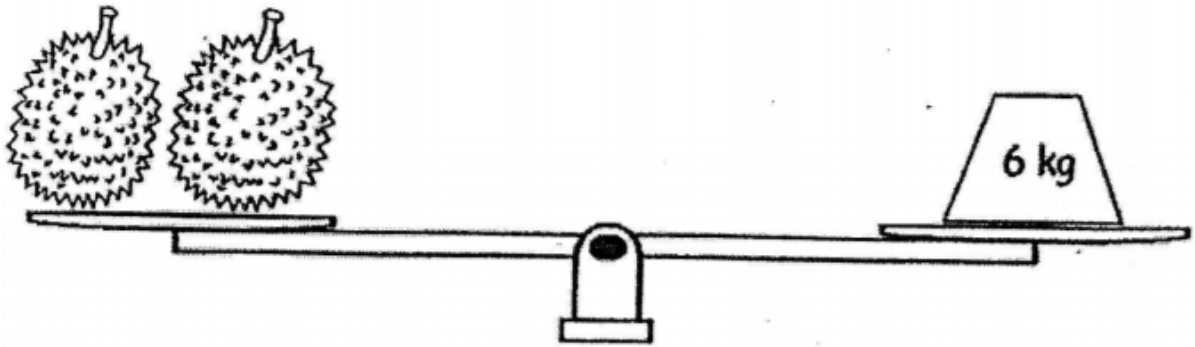
- A) drum, teddy bear, toy car
- B) drum, toy car, teddy bear
- C) teddy bear, toy car, drum
- D) toy car, drum, teddy bear

Question 10 of 25

Primary 2 Math (Term 2)

1 pt

The two durians have the same mass. What is the mass of each durian?



Ans: _____ kg

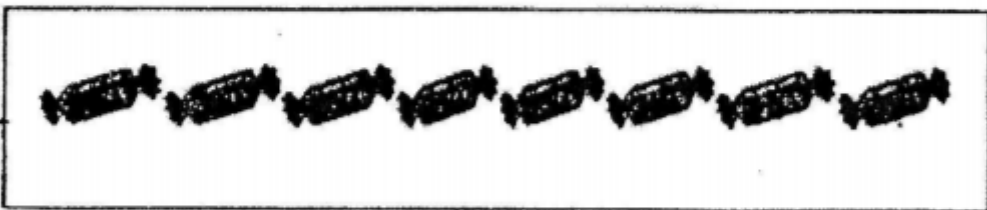
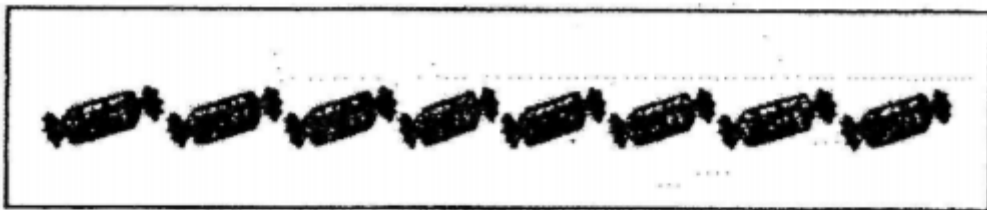
Question 11 of 25

Primary 2 Math (Term 2)

1 pt

Look at the picture below.

Choose the correct multiplication sentence.



_____ x _____ = _____

- A) $2 \times 8 = 16$
- B) $2 \times 10 = 20$
- C) $8 \times 1 = 8$
- D) $9 \times 2 = 18$

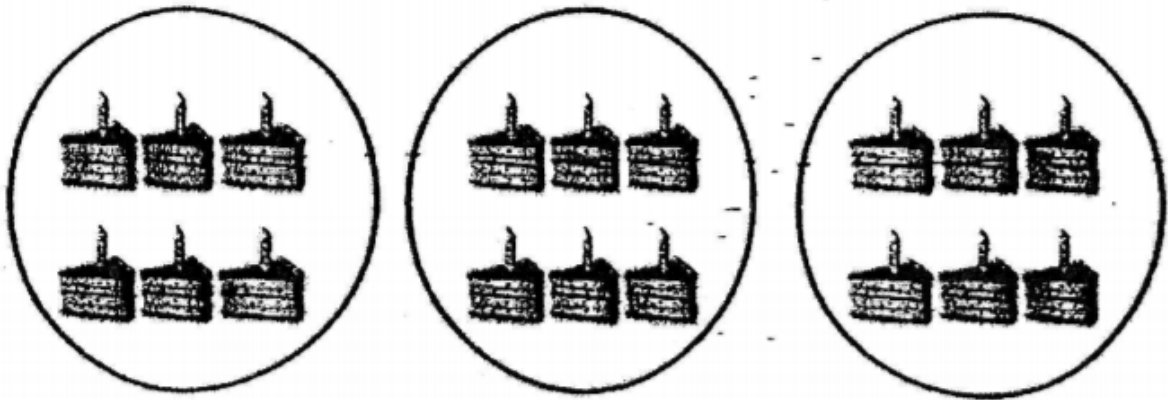
Question 12 of 25

Primary 2 Math (Term 2)

1 pt

Look at the picture below.

Choose the correct division equation.



- A) $6 \div 3 = 2$
- B) $9 \div 3 = 3$
- C) $15 \div 3 = 5$
- D) $18 \div 3 = 6$

Question 13 of 25

Primary 2 Math (Term 2)

1 pt

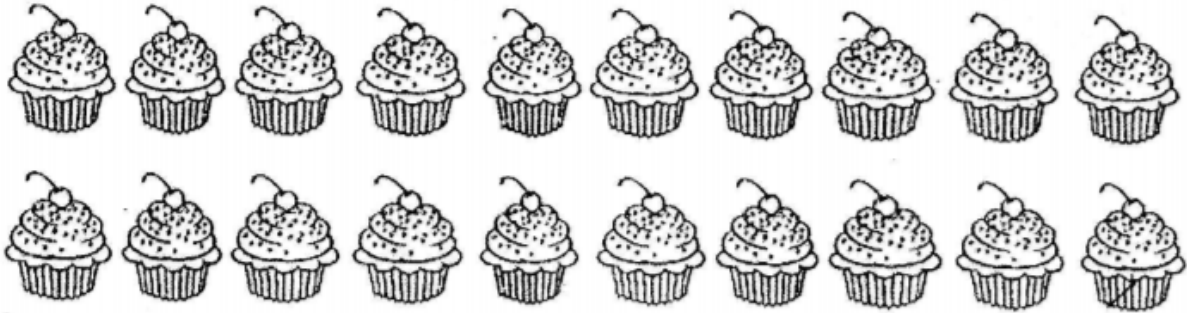
Fill in the blank with 'g' or 'kg'.

The mass of a cat is about 4 _____.

Question 14 of 25

Primary 2 Math (Term 2) 1 pt

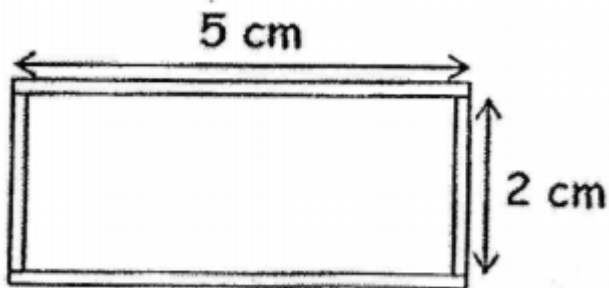
5 children share 20 cupcakes equally.
How many cupcakes does each child get?



Question 15 of 25

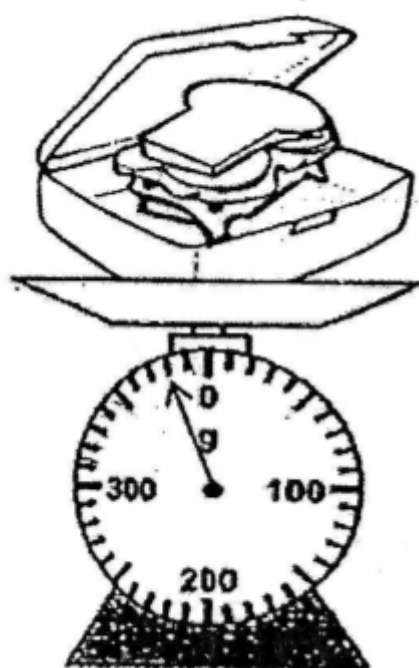
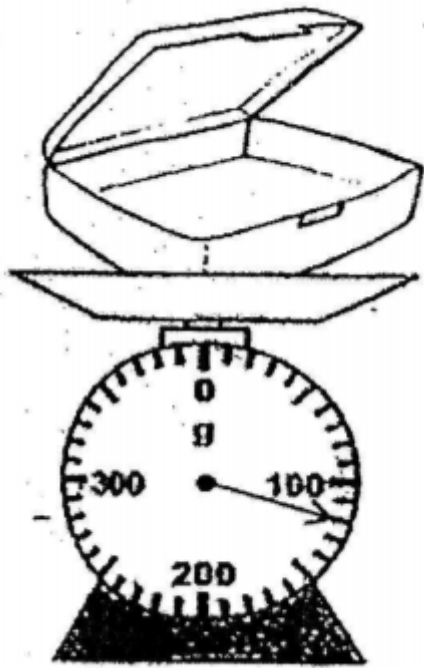
Primary 2 Math (Term 2) 2 pts

Alex used 4 rods to form the rectangle below.
What is the total length of the 4 rods?



Ans: _____ cm

Andy packs a sandwich into his empty lunch box. What is the mass of the sandwich?

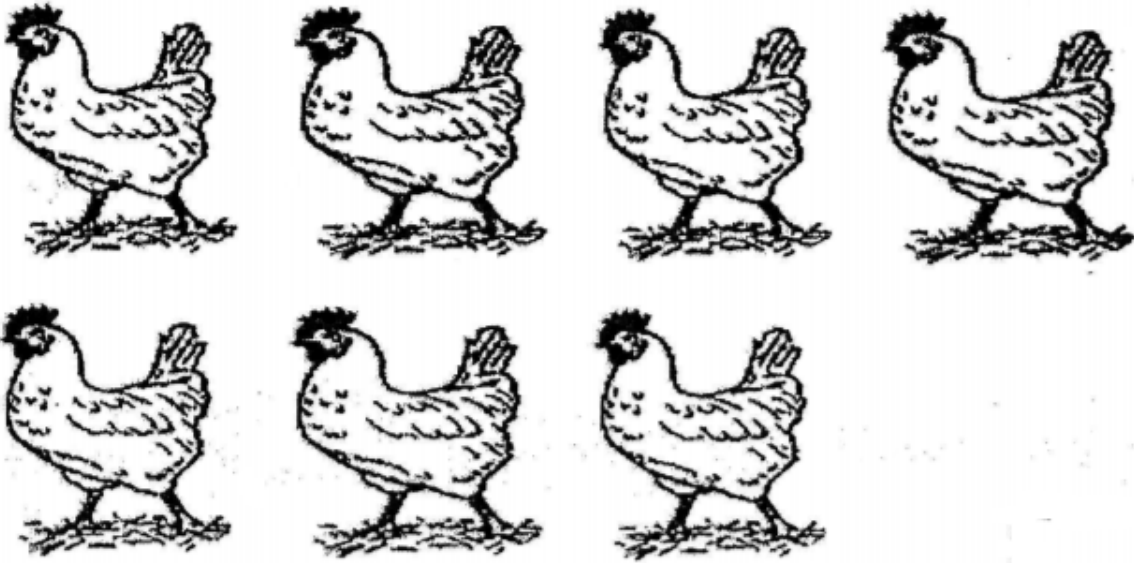


Ans: _____ g

Question 17 of 25

Primary 2 Math (Term 2) 2 pts

Each chicken has 2 legs. How many legs does 7 chickens have?



Ans: _____ legs

Question 18 of 25

Primary 2 Math (Term 2) 2 pts

The chart shows the height of 4 pupils.

Name	Height
Colin	129 cm
Esther	137 cm
David	152 cm
Susan	131 cm

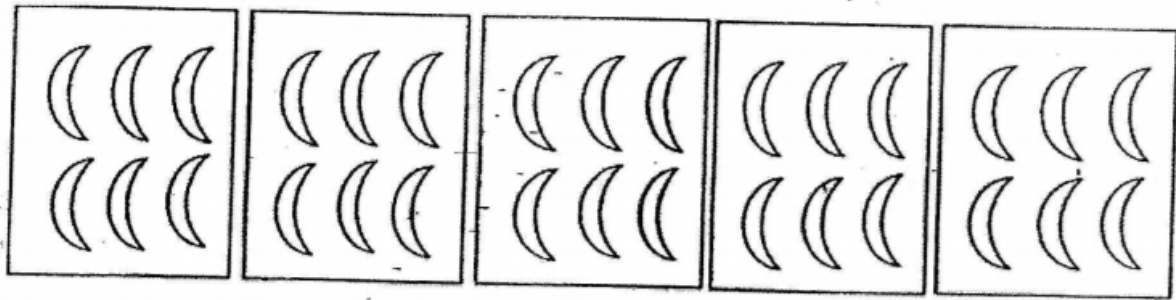
David is taller than the **shortest** pupil by _____ cm.

Question 19 of 25

Primary 2 Math (Term 2)

1 pt

Study the picture below carefully.



a) Choose the correct multiplication equation for the picture.

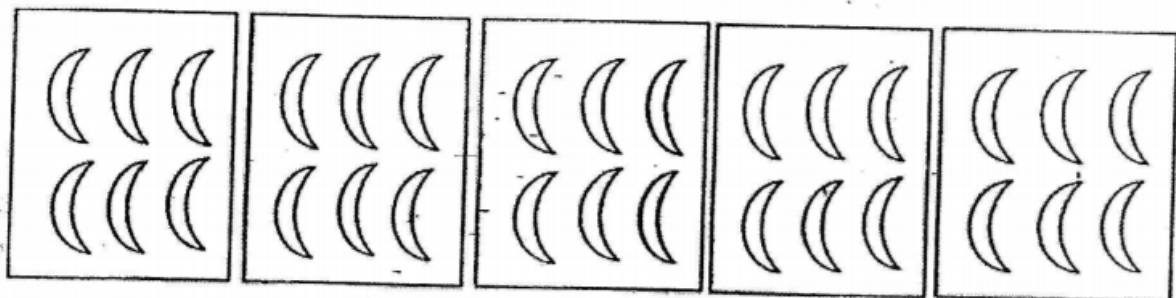
- A) $6 \times 6 = 36$
- B) $3 \times 6 = 18$
- C) $5 \times 6 = 30$
- D) $5 \times 4 = 20$

Question 20 of 25

Primary 2 Math (Term 2)

1 pt

Study the picture below carefully.



b) Choose the correct division equation for the picture.

- A) $30 \div 5 = 6$
- B) $15 \div 5 = 3$
- C) $30 \div 3 = 10$
- D) $12 \div 3 = 4$

Question 21 of 25

Primary 2 Math (Term 2)

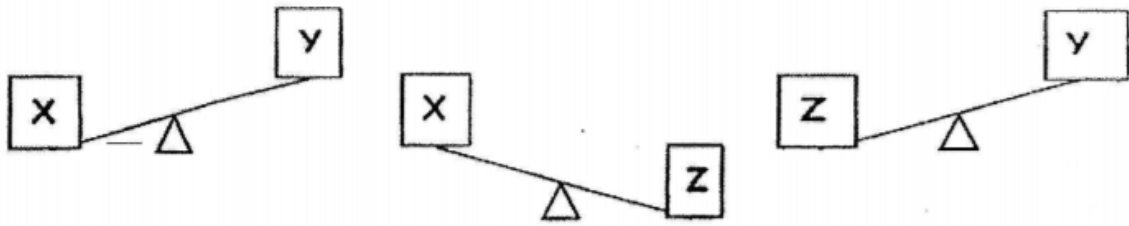
2 pts

Jane had 15 biscuits. She placed the biscuits equally onto 3 plates.
How many biscuits were there on each plate?

Question 22 of 25

Primary 2 Math (Term 2) 2 pts

Study the picture below carefully.



Which box is the **lightest**?

Ans: Box _____

Question 23 of 25

Primary 2 Math (Term 2) 4 pts

Section C: Word Problems (3 x 4 marks = 12 marks)

Questions 23 to 25 carry 4 marks each. Read each question carefully.

Julie used 325g of flour to bake some cookies.
After baking the cookies, she had 487g flour left.
How much flour did Julie have at first?

Julie had _____ g of flour at first.

Question 24 of 25

Primary 2 Math (Term 2) 4 pts

Sam collected 32 picture cards.
He arranged the cards equally on 4 pages of an album.
How many cards were there on each page?

There were _____ cards in each page.

Question 25 of 25

Primary 2 Math (Term 2)

4 pts

Jane is 135 cm tall.
Jane is 28 cm taller than Alice.
How tall is Alice?

Alice is _____ cm tall.
